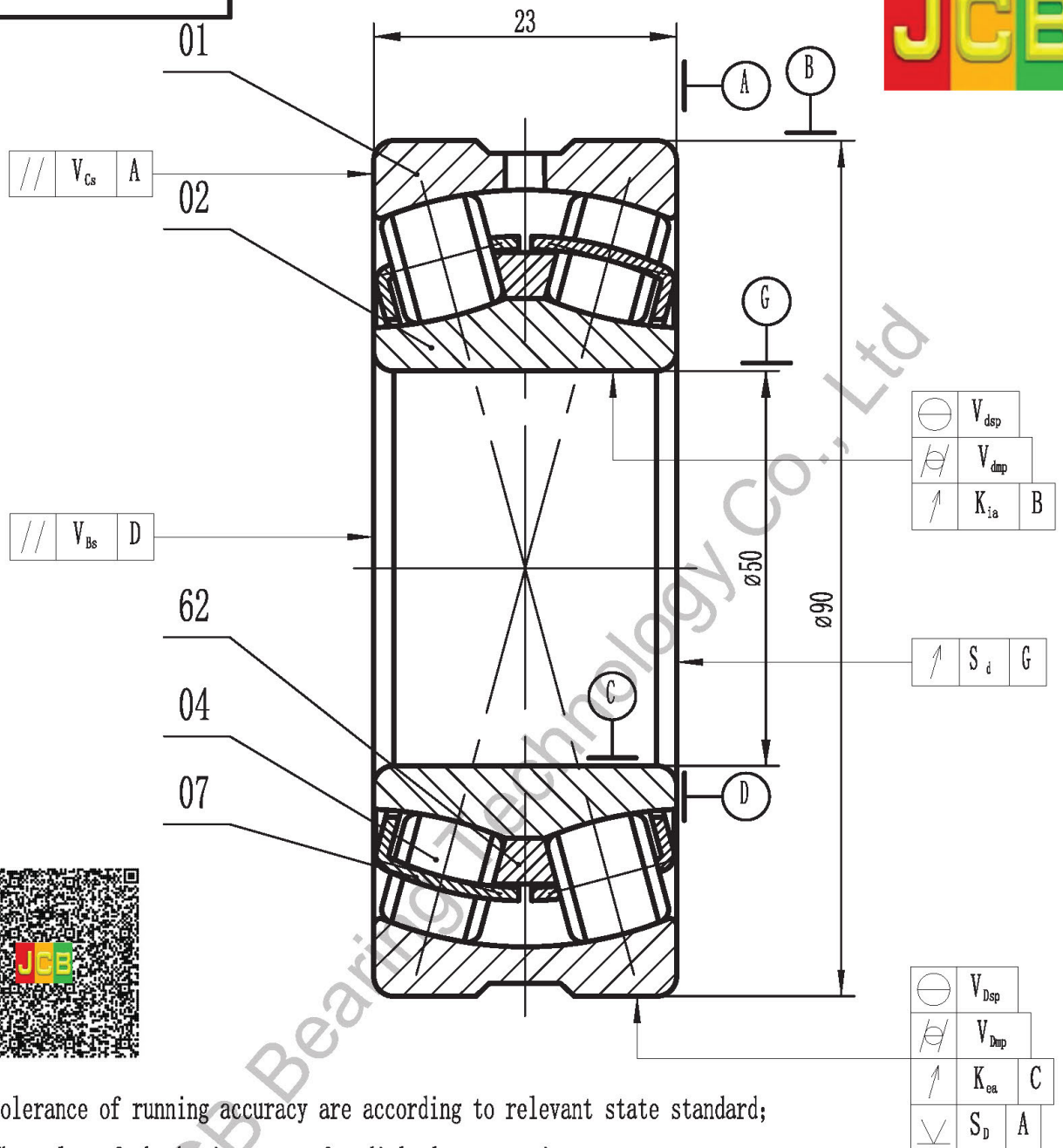


22210 CC/W33



1. Tolerance of running accuracy are according to relevant state standard;
2. The value of the basic group of radial clearance:min *** max ***;
3. Rated load: $C_r = ****$ kN $C_{or} = ****$ kN.

62	Guide ring		Steel 20—GB699			
07	Cage		Steel St 52—EN 10025:1990 + A:1993			
04	Roller		Steel 100Cr6—ISO 683-17:1999			
02	Inner ring		Steel 100Cr6—ISO 683-17:1999			
01	Outer ring		Steel 100Cr6—ISO 683-17:1999			
No.	Name	Qty	Material	Unit	Total	Remark
				Weight (kg)		

Luoyang JCB Bearing Technology Co., Ltd
 Contact information
 Company Address : No. 285, Fenghua road,
 Luoyang, Henan, China.
 Postal code : 471000
 Phone :86-379-68611678
 Fax : 86-379-68611679
 E-mail: sales@jcb-bearing.com
 Reserved E-mail: sales@sphericalrollerbearing.net
 Website: www.jcb-bearing.com
 www.sphericalrollerbearing.net

Spherical Roller Bearing

22210 CC/W33

			Weight (kg)	Scale
S				—
Total page 6			Page No. 1	
Luoyang JCB Bearing Technology Co., Ltd				